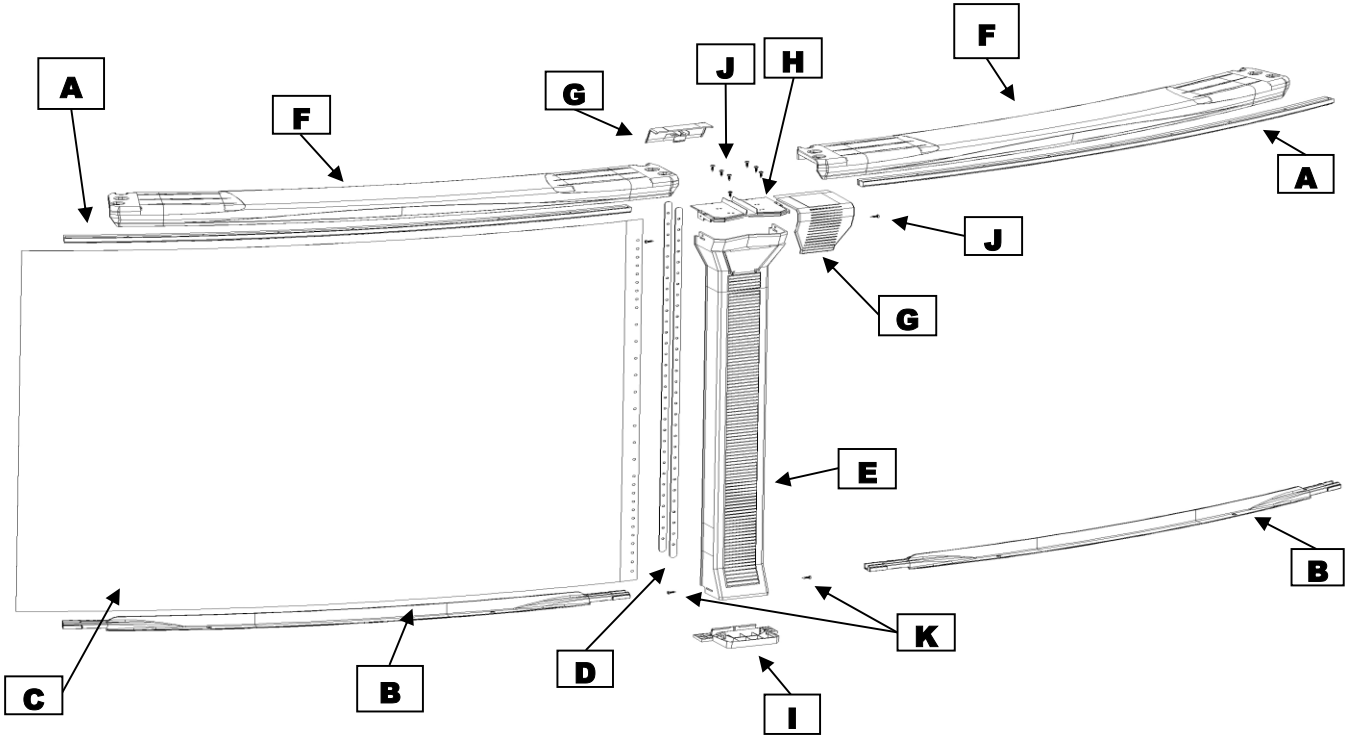


Eden
PEDN-52RRRRRR131
Round

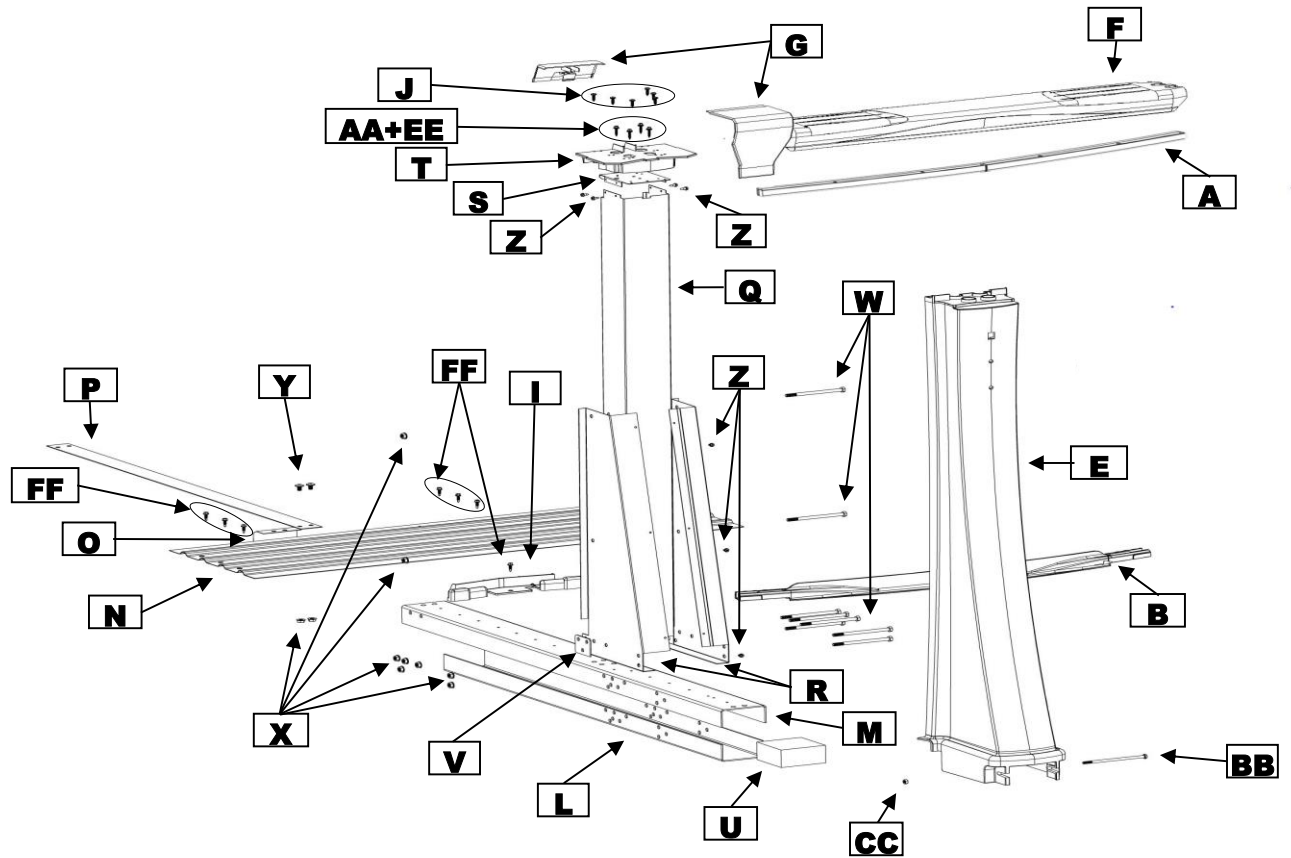


Product Description:			Eden Round								Revised Sept. 2023	
Product Code:			PEDN-52RRRRRR131									
			Quantity required for installation (by pool size)									
Index#	Description	Part #	12	15	18	21	24	27	30	33	PRICING	
A	Stabilizer 12', 15', 18'	1071507160000	8	10	12						\$36.69	
A	Stabilizer 21', 24', 27'	1072407160000				14	16	18			\$36.69	
A	Stabilizer 30', 33'	1073007160000							20	22	\$36.69	
B	Bottom rail 12', 15', 18'	1081547000000	8	10	12						\$60.23	
B	Bottom rail 21', 24' 27'	1082447000000				14	16	18			\$60.23	
B	Bottom rail 30', 33'	1083047000000							20	22	\$60.23	
C	Steel wall		1	1	1	1	1	1	1	1		
D	Steel bar	11823	2	2	2	2	2	2	2	2	\$19.78	
E	Upright	10247380002	8	10	12	14	16	18	20	22	\$194.78	
F	Top ledge	10147370000	8	10	12	14	16	18	20	22	\$247.32	
G	Ledge cover	10347380000	8	10	12	14	16	18	20	22	\$23.99	
H	Top plate	1110053200	8	10	12	14	16	18	20	22	\$16.75	
I	Bottom plate	1120047200	8	10	12	14	16	18	20	22	\$15.85	
J	Stainless screw 12 x ¾"	V12x34	75	93	93	129	147	165	183	201	\$0.96	
K	Stainless screw 12 x 1"	2PPS121	16	20	20	28	32	36	40	44	\$2.33	
*	Hardware bag	1051200370	1								\$110.88	
*	Hardware bag	1051500370		1							\$137.79	
*	Hardware bag	1051800370			1						\$137.79	
*	Hardware bag	1052100370				1					\$191.63	
*	Hardware bag	1052400370					1				\$218.53	
*	Hardware bag	1052700370						1			\$245.42	
*	Hardware bag	1053000370							1		\$272.34	
*	Hardware bag	1053300370								1	\$299.26	
**	Hardware bag for wall	1050000054	1	1	1	1	1	1	1	1	\$106.36	
	Truss phill 18-8 bolts 18-8 1/4-0x3/4	99-0023	31	31	31	31	31	31	13	31	\$1.34	
	Flange nuts S/S 1/4-20 Serrated	2FGS422	31	31	31	31	31	31	31	31	\$1.02	
	Installation DVD	SACWBI36875	1	1	1	1	1	1	1	1	\$21.79	

* In the hardware bag you will find parts: #V12x34 - #2PPS121

** In the hardware bag for wall you will find parts: #99-0023, #2FGS422

Eden
PEDN-YM52RRRRRR131
Yardmore
Straight Section



Product Description:			Eden Oval					Revised Sept. 2023	
Product Code:			PEDN-YM52RRRRR131						
			Quantity required for installation (by pool size)						
Index#	Description	Part #	1219	1223	1526	1530	1833	PRICING	
A	Stabilizer (Round section)	1071507160000	4	4	8	8	10	\$36.69	
A	Stabilizer (Straight section)	10747000042	4	6	4	6	6	\$25.82	
A	Stabilizer-Transition(End of straight section)	1071507160010	4	4	4	4	4	\$30.86	
B	Bottom rail (Round section)	1081547000000	4	4	8	8	10	\$60.23	
B	Bottom rail(Straight side section)	108470000042	4	6	4	6	6	\$60.23	
B	Bottom rail-Transition (End of straight section right)	1081547000020	2	2	2	2	2	\$44.63	
B	Bottom rail-Transition (End of straight section left)	1081547000030	2	2	2	2	2	\$44.63	
C	Steel wall		1	1	1	1	1		
D	Steel bar	11823	2	2	2	2	2	\$19.78	
E	Upright	10247380002	6	6	10	10	12	\$194.78	
E	Upright cover (straight section)	10247000002	6	8	6	8	8	\$273.14	
F	Top ledge	10147370000	8	8	12	12	14	\$247.32	
F	Straight top ledge	10147370042	4	6	4	6	6	\$163.95	
G	Ledge cover	10347380000	6	6	10	10	12	\$24.01	
G	Ledge cover (straight section)	1030047201	6	8	6	8	8	\$18.12	
H	Top plate	1110053200	6	6	10	10	12	\$16.75	
I	Bottom plate	1120047200	6	6	10	10	12	\$15.85	
I	Bottom plate (straight section)	10447000000	6	8	6	8	8	\$31.72	
J	Stainless screw 12 x ¾"	V12x34	118	138	154	174	192	\$0.96	
K	Stainless screw 12 x 1"	2PPS121	12	12	20	20	24	\$2.33	
L	Steel under channel	15933	6	8	6	8	8	\$421.42	
M	Steel strap end channel	16539	6	8	6	8	8	\$323.45	
N	Steel pressure plate	16549	6	8	6	8	8	\$236.20	
O	Oval channel end cap	22726	6	8	6	8	8	\$2.33	
P	Strap 12'	16724	6	8				\$24.51	
P	Strap 15'	16725			9	12		\$24.51	
P	Strap 18'	16726					12	\$31.55	
Q	Straight side steel upright	18573	6	8	6	8	8	\$187.55	
R	Right gusset	16375	2	8	6	8	8	\$59.40	
R	Left gusset	16374	6	8	6	8	8	\$59.40	
S	Metal top plate	10136R	6	8	6	8	8	\$6.39	
T	Resin top plate	1110033201	6	8	6	8	8	\$18.12	
U	Foam block	29917	6	8	6	8	8	\$13.77	
V	Washer 3 holes	16663	12	16	12	16	16	\$2.69	
W	Bolt 5" x 5/16 - 18	99-0073	60	80	60	80	80	\$5.70	
X	Nut 5/16 - 18	99-0027	78	116	84	116	112	\$1.34	
Y	Screw ½" x 5/16 - 18	99-0026	18	32	24	36	32	\$3.38	
Z	Screw ½" #10	99-0068	50	60	50	60	60	\$0.61	
AA	Screw 1" #10	99-0070	30	50	40	56	50	\$1.40	
BB	Bolt 5 ½" x ¼ - 20	2PCB520	6	8	6	8	8	\$10.40	
CC	Nut ¼ - 20	2FGS422	6	8	6	8	8	\$1.02	
EE	Flat washer #10 x 5/8	FW10X58S	30	40	30	40	40	\$0.80	
FF	Self-tapping screw #12x3/4	99-0123	40	55	40	55	55	\$0.97	
*	Hardware bag	1051219370	1					\$125.85	
*	Hardware bag	1051223370		1				\$138.47	
*	Hardware bag	1051526370			1			\$178.67	

Product Description:**Eden Oval**

Revised Sept. 2023

Product Code:**PEDN-YM52RRRRRR131**

			Quantity required for installation (by pool size)					
Index#	Description	Part #	1219	1223	1526	1530	1833	PRICING
*	Hardware bag	1051530370				1		\$192.29
*	Hardware bag	1051833370					1	\$219.19
**	Hardware for wall	1050000054	1	1	1	1	1	\$106.36
***	Hardware bag	16720	1	2	1	2	2	\$191.24
***	Hardware bag	16722	1		1			\$95.96
****	Hardware bag	10522112	1					\$325.04
****	Hardware bag	10522117		1			1	\$444.19
****	Hardware bag	10522116			1			\$353.34
****	Hardware bag	22113				1		\$716.18
	Truss phill 18-8 bolts 18-8 1/4-0x3/4	99-0023	31	31	31	31	31	\$1.34
	Flange nuts S/S 1/4-20 Serrated	2FGS422	31	31	31	31	31	\$1.02
	Installation DVD	SACWBI36875	1	1	1	1	1	\$21.79

* In the hardware bag you will find parts: #2PPS121 - #V12x34

** In the hardware bag for wall you will find parts: #99-0023 - #2FGS422

*** In the hardware bag you will find parts: #99-0073 - #99-0027 - #16663

**** In the hardware bag you will find parts: #99-0073 - #99-0070 - #99-0068 - #99-0027 - #99-0026 - #V12x34 - 2FGS422 - #2PCB520- #99-0123